



## SAFE 360

Professional air filtration and ventilation system designed for supplying fresh air, filtered from harmful gases and particles and creation overpressure in air-tight shelters, bunkers, safe rooms and more.

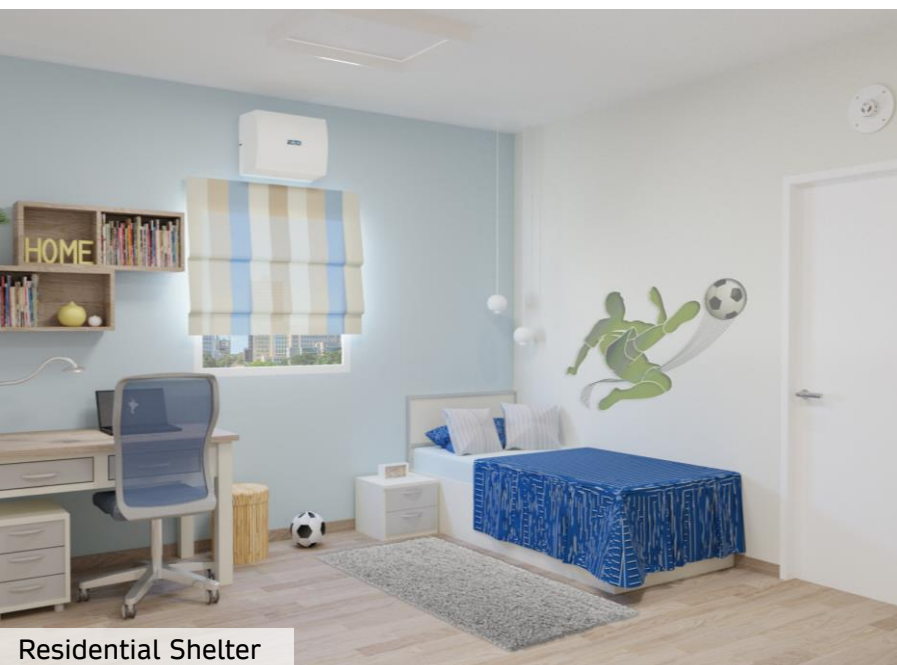
Safe Room / Shelter

## Highlights

- Tested and certified
- Compact and Cost-effective
- For shelters up to 36 m<sup>3</sup>/h air volume
- 100-240v/12v/manual operation
- Installed in tens of thousands of shelters



Underground Bunker



Residential Shelter

## Compliance

- Standard **SI4570** (Air Ventilation and Filtration Systems for Shelters and Protected Spaces)
- Civil Defence Command



## SAFE 360 KIT



### Main Components

1. CBRN filter (combined carbon + HEPA filter)
2. Electric Blower (12v DC)
3. Adapter from DC to 100-240v AC
4. Manual backup
5. Blast valve with prefilter
6. Overpressure blast valve with indicator
7. Decorative case + wall bracket
8. Clean air hose

### CBRN Filtration mode – Operation Video

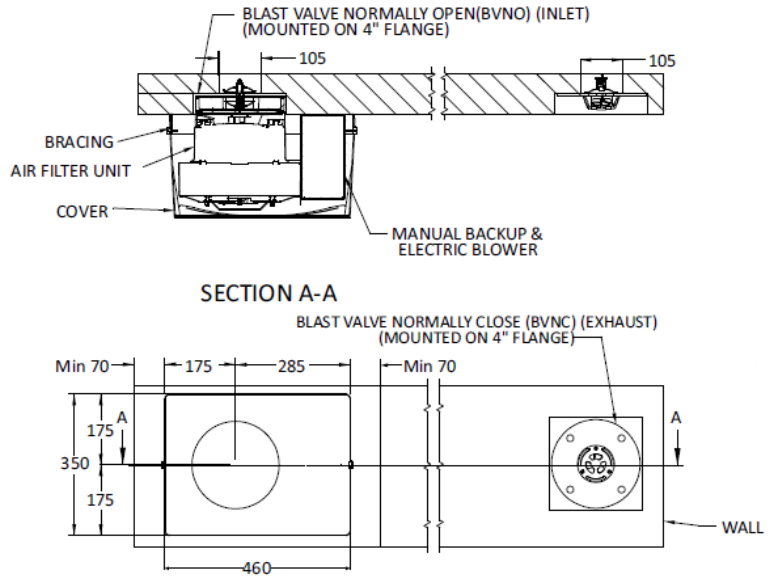
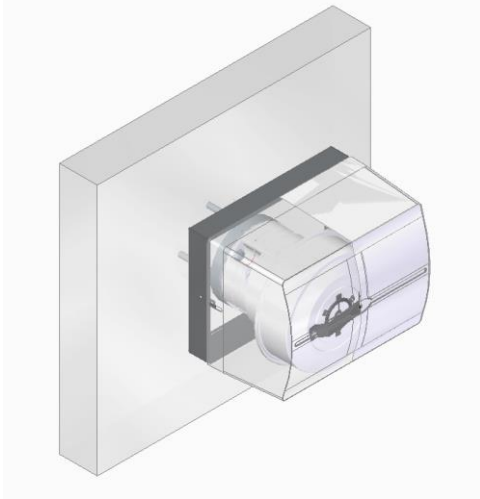
<https://youtu.be/G1z5tI-Fr0k?feature=shared>

### Ventilation mode – Operation Video

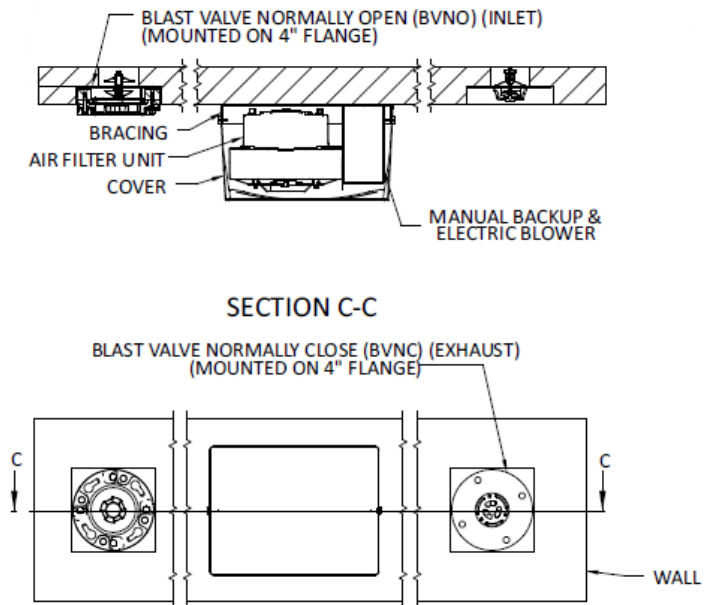
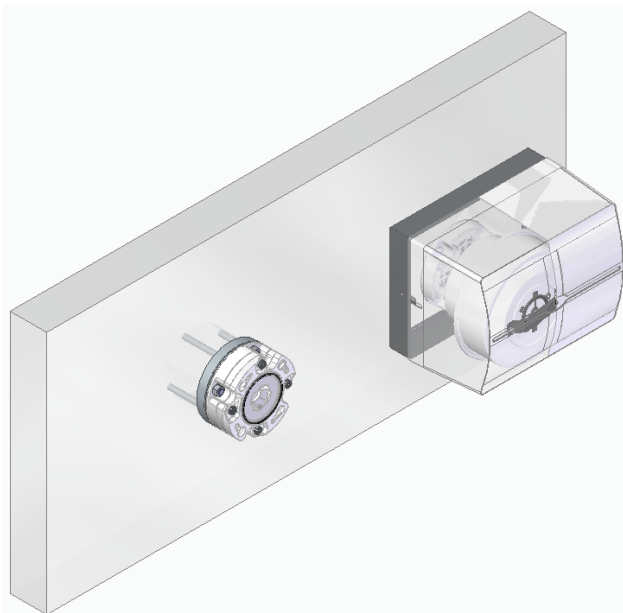
<https://youtu.be/jvcZwVhWaCo?feature=shared>

# INSTALLATION OPTIONS

## Option I - Flange and the blast valve under the cover



## Option II - Flange with blast valve outside the cover



Product design and technical specifications are subject to change without notice or obligation.

## TECHNICAL SPECIFICATIONS

| Item  | Value              | Units             |
|---|--------------------|-------------------|
| <b>Blast Valve (BVNO 50 4L) – Air Entrance</b>              |                    |                   |
| Returned Pressure durability                                | >900 (9)           | kPa (bar)         |
| Pressure drop (Ventilation mode)                            | 20                 | mmWc              |
| Pressure drop (Filtration mode)                             | 9,5                | mmWc              |
| <b>CBRN Filter (AFU 36)</b>                                 |                    |                   |
| Airflow rate (nominal)                                      | 36                 | m <sup>3</sup> /h |
| Initial Pressure Drop @ nominal                             | 46                 | mmWc              |
| Total filter weight   | 7                  | kg                |
| Mechanical filtration efficiency                            | ≥99.995            | %                 |
| <b>Electric Blower (EBL 180)</b>                            |                    |                   |
| Airflow (Ventilation mode)                                  | 54                 | m <sup>3</sup> /h |
| Airflow (CBRN filtration mode)                              | 36                 | m <sup>3</sup> /h |
| Pressure drop (Filtration mode)                             | 72                 | mmWc              |
| Pressure drop (Filtration mode)                             | 98                 | mmWc              |
| Electric motor / Adapter voltage                            | 12 DC / 100-240 AC | V                 |
| Electric motor current                                      | 3,3                | A                 |
| Manual operation (backup)                                   | 1                  | Person            |
| Frequency   | 50/60              | Hz                |
| <b>Overpressure Blast Valve (BVNC 300 8Y) – Air Exhaust</b> |                    |                   |
| Returned Pressure durability                                | >900 (9)           | kPa (bar)         |
| Pressure drop (Ventilation mode)                            | 22,5               | mmWC              |
| Pressure drop (Filtration mode)                             | 6,5                | mmWC              |

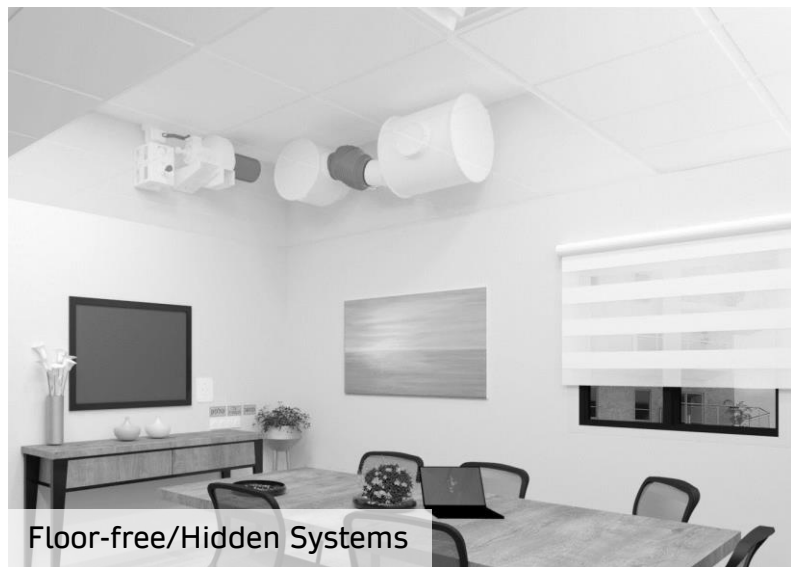
Product design and technical specifications are subject to change without notice or obligation.



# OUR RANGE OF CBRN FILTRATION SYSTEMS



Safe Room Systems



Floor-free/Hidden Systems



Floor-mounted Systems



Filtering Batteries

# ATMAS

Experts in Shelters and  
Protective Technologies



Atmas Group Oy

Sturenkatu 26,

00510 Helsinki, Finland

Tel: +358 44 9843373

Email: [info@atmas-tech.com](mailto:info@atmas-tech.com)

Web: [www.atmas-tech.com](http://www.atmas-tech.com)

**Disclaimer:** This document is not a recommendation or a substitute for dedicated professional advice. The images are for illustration purposes only and all technical, functional and other product specifications are subject to change without notice or obligation.