

## Protective Doors, Gates and Hatches Catalog

Atmas offers a wide selection of standard and custom, tested, certified doors and structural openings protection solutions for civil defense shelters, bunkers, saferooms, storage facilities and other applications.

**Blast | Ballistic | Forced Entry | Fire | Gas Tightness | Security**

**Atmas Group Oy | +358 44 9843373 | [info@atmas-tech.com](mailto:info@atmas-tech.com) | [www.atmas-tech.com](http://www.atmas-tech.com)**

Disclaimer: This document is not a recommendation or a substitute for dedicated professional advice.

All technical, functional and other product specifications are subject to change without notice or obligation.

## SO-1/SO-2S Blast & Gastight Door / Splinter

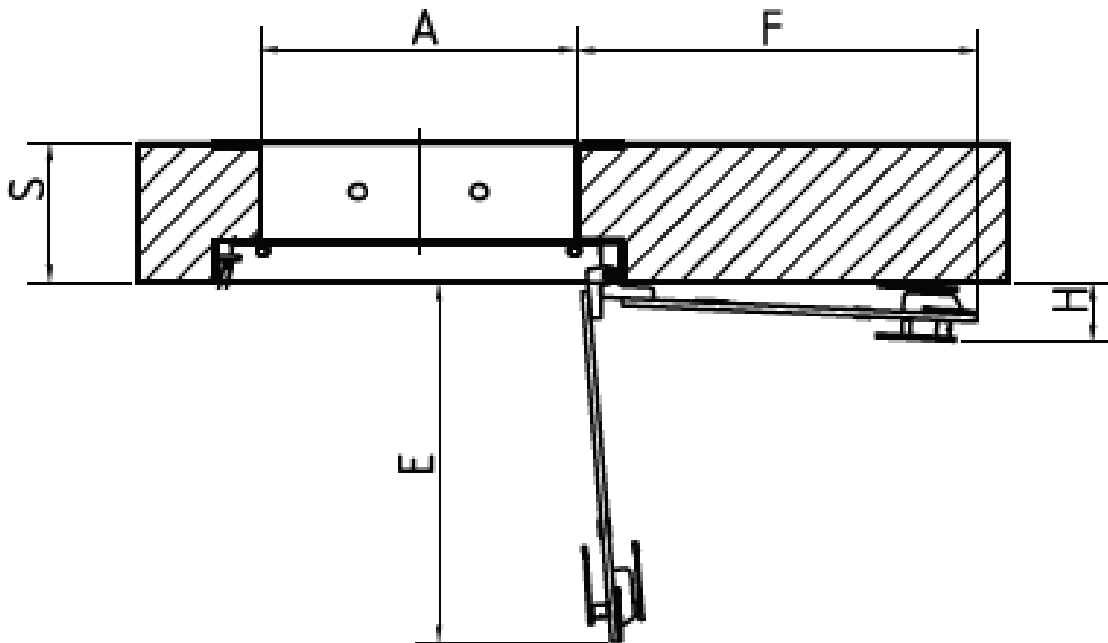
Blast	Ballistic	Forced Entry	Gastight
2 Bar (3 optional)	Optional	Optional	Yes

### Main Features

- Technical norms: Finnish S1 class, VTT-C-1790-07
- Description: hinged, blast resistant and gastight, single/double leaf door
- Structure: frame – metal frame with reinforcements, SO-1 leaf made of 20mm steel plate / SO-1S leaf made of 30mm steel plate
- Blast resistance: 2 or 3 bar (depending on configuration)
- Installation options: concrete casting or retrofit (optional), right/left
- Locking mechanism: 2x levers with handles from inside and outside
- Rubber gasket for gas tightness

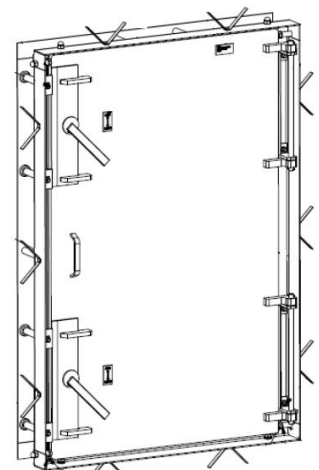


**SO-1 Dimensions**



A x 2000 (mm)	E (mm)	F (mm)	H (mm)
900 x 2000	1040	1150	170
1200 x 2000	1340	1450	170

\*Custom sizes available by request



**DU-IVR Blast & Gas Tight Door**

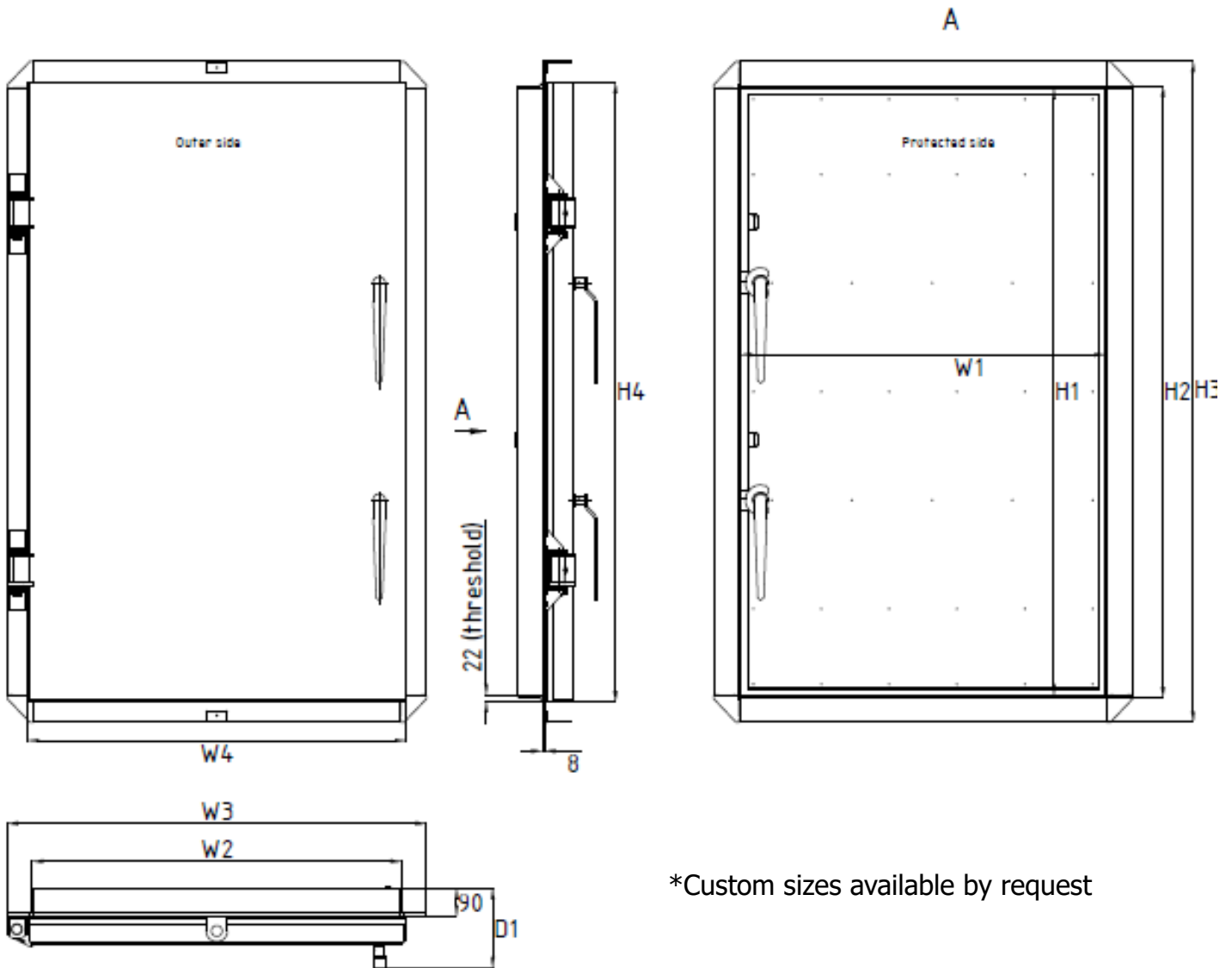
Blast	Ballistic	Forced Entry	Gastight
100 kPa (1 Bar)	Optional	Optional	Yes

**Main Features**

- Technical norms: TU U 25.1-38587375-001:2016 (Ukraine)
- Description: hinged, blast resistant and gastight, single/double leaf door
- Structure: frame – steel corner with reinforcements, door leaf – metal sheets with reinforcement bars
- Blast resistance: up to 1 bar (100 kPa) static pressure
- Installation options: concrete casting or retrofit, right/left
- Locking mechanism: 2x levers with handles from inside and outside
- Rubber gasket for gas tightness



**DU-IVR Blast & Gas Tight Door Dimensions**



\*Custom sizes available by request

Nominal dimensions		
Parameter/Type	DU-IVR 900x2000	DU-IVR 1200x2000
W1, mm	900	1200
W2, mm	916	1216
W3, mm	1080	1380
W4, mm	944	1244
H1, mm	2000	2000
H2, mm	2016	2016
H3, mm	2180	2180
H4, mm	2044	2044
D1, mm	261	261
Weight, kg	180	224

**DU-IV 250R Blast & Gas Tight Door**

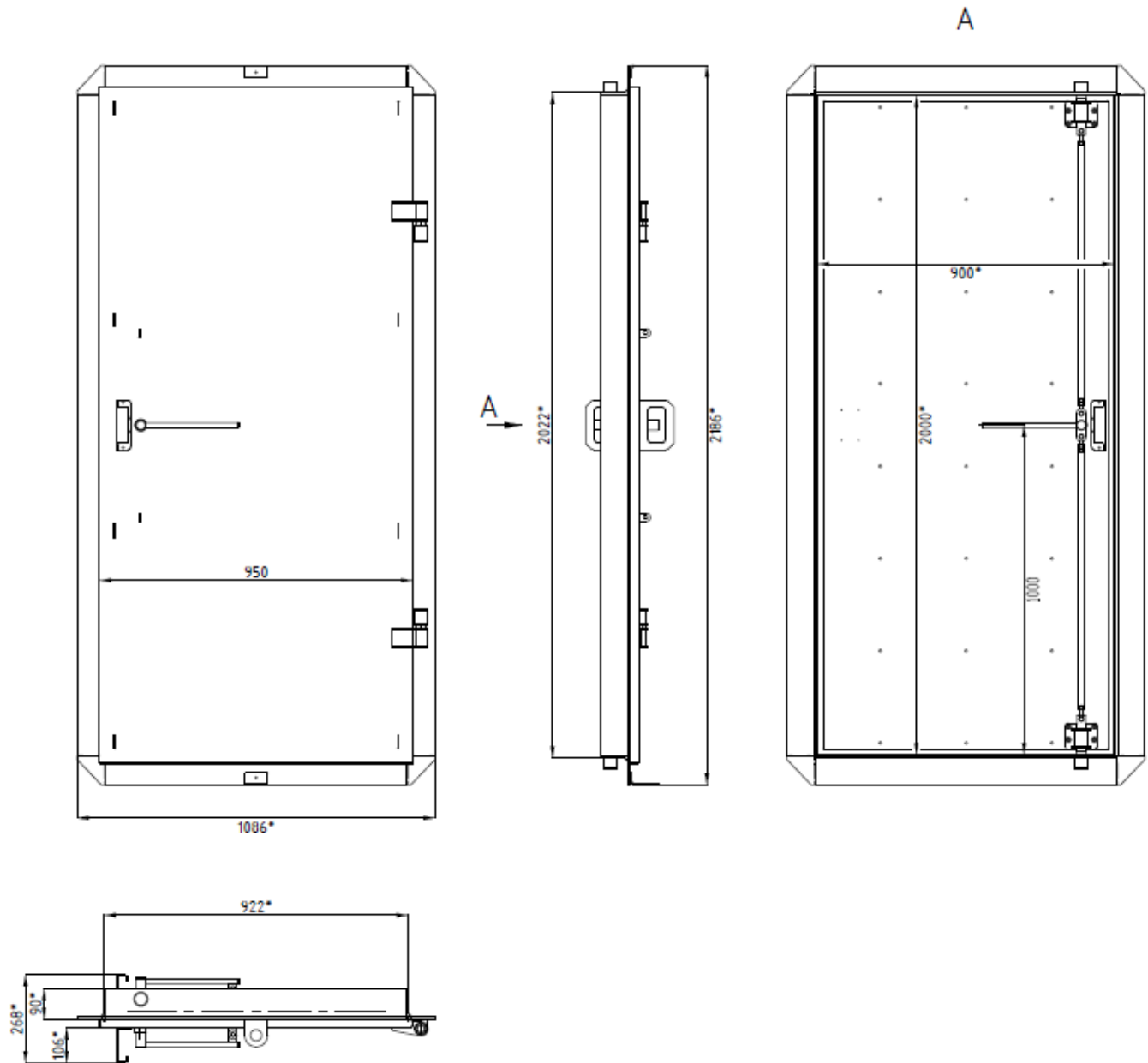
<b>Blast</b>	<b>Ballistic</b>	<b>Forced Entry</b>	<b>Gastight</b>
250 kPa (2.5 Bar)	Optional	Yes	Yes

**Main Features**

- Technical norms: TU U 25.1-38587375-001:2016 (Ukraine)
- Description: hinged, blast resistant and gastight, single/double leaf door
- Structure: frame – steel corner with reinforcements, door leaf – metal sheets with reinforcement bars
- Blast resistance: 2.5 bar (250 kPa) static pressure
- Installation options: concrete casting or retrofit, right/left
- Locking mechanism: lever (lockable) from inside and outside with locking upper and bottom locking bars.
- Rubber gasket for gas tightness



**DU-IV 250R Blast & Gas Tight Door Dimensions**



\*Custom sizes available by request

**DU-III Blast & Gastight Door**

Blast	Ballistic	Forced Entry	Gastight
440 kPa (4.4 Bar)	Optional	Optional	Yes

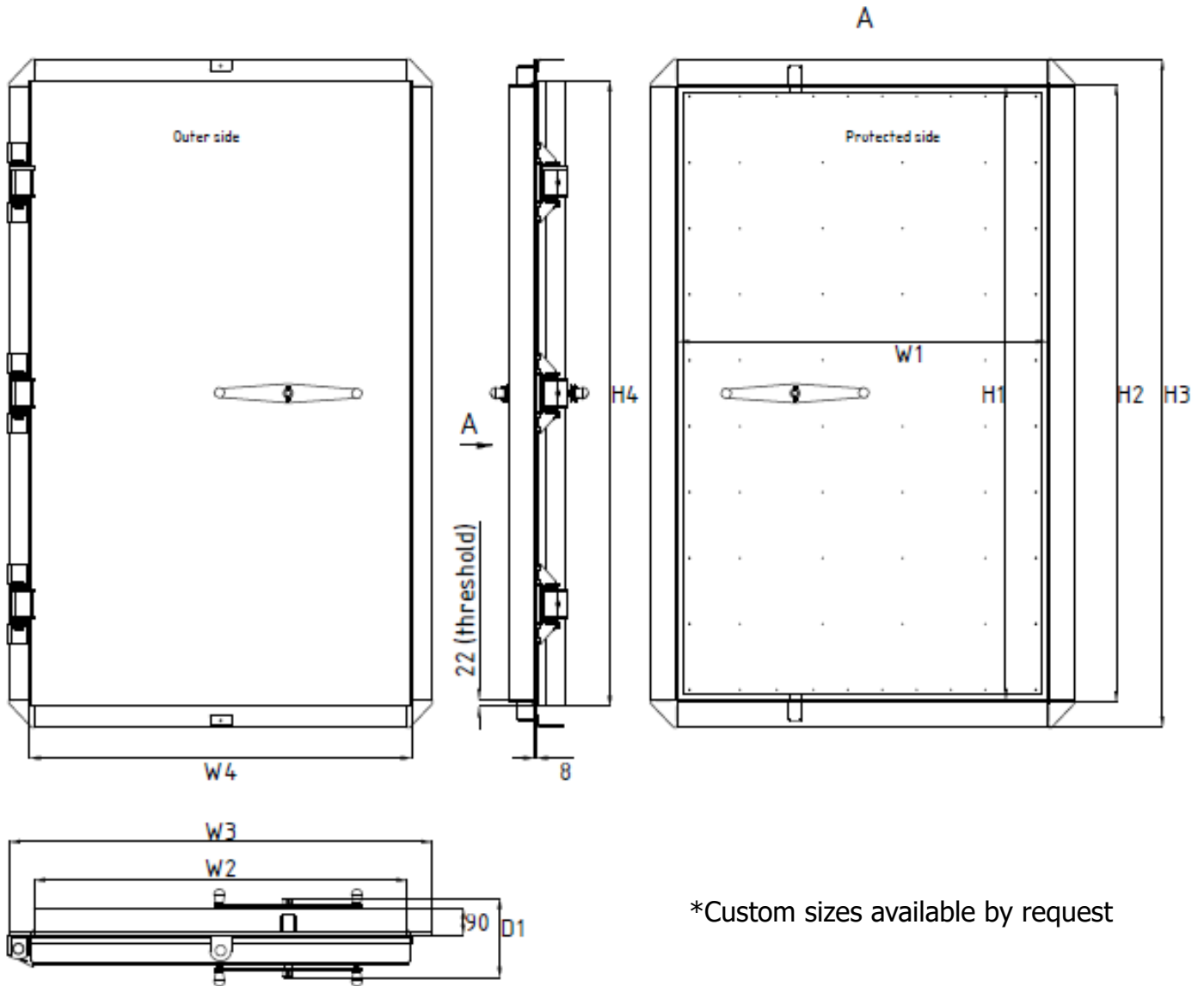
**Main Features**

- Technical norms: TU U 25.1-38587375-001:2016 (Ukraine)
- Description: hinged, blast resistant and gastight, single/double leaf door
- Structure: frame – steel corner with reinforcements, door leaf – metal sheets with reinforcement bars
- Blast resistance: 4.4 bar (440 kPa) static pressure
- Installation options: concrete casting or retrofit, right/left
- Locking mechanism: gear with handles from inside and outside
- Rubber gasket for gas tightness





**DU-III Blast & Gas Tight Door Dimensions**



Nominal dimensions			
Parameter/Type	DU-III 800x1800	DU-III 900x2000	DU-III 1200x2000
W1, mm	800	900	1200
W2, mm	816	916	1216
W3, mm	980	1080	1380
W4, mm	844	944	1244
H1, mm	1800	2000	2000
H2, mm	1816	2016	2016
H3, mm	1980	2180	2180
H4, mm	1838	2044	2044
D1, mm	258	258	258
Weight, kg	194	219	260

**DU-I Blast & Gastight Door**

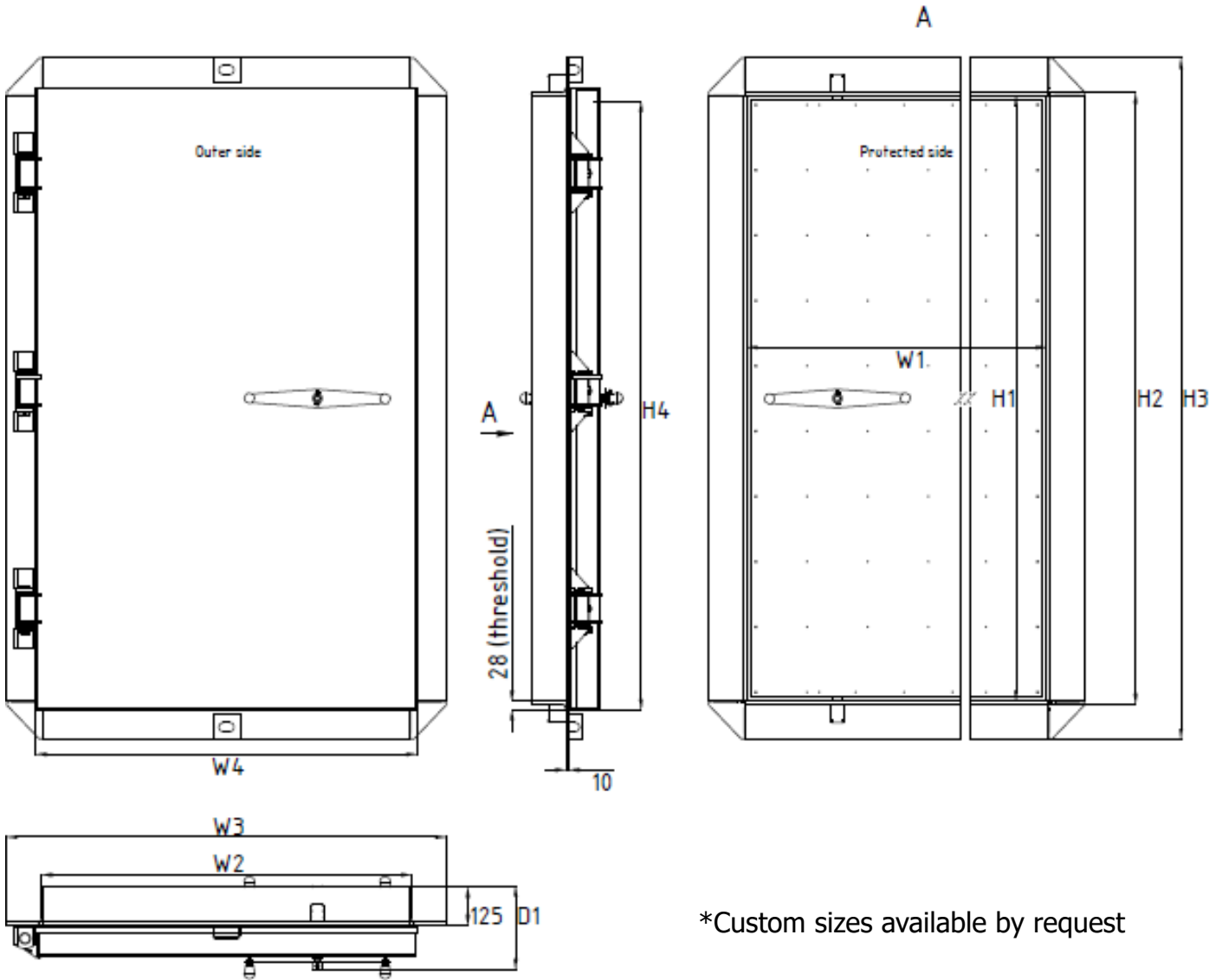
Blast	Ballistic	Forced Entry	Gastight
900 kPa (9 Bar)	Optional	Optional	Yes

**Main Features**

- Technical norms: TU U 25.1-38587375-001:2016 (Ukraine)
- Description: hinged, blast resistant and gastight, single/double leaf door
- Structure: frame – steel corner with reinforcements, door leaf – metal sheets with reinforcement bars
- Blast resistance: 9 bar (900 kPa) static pressure
- Installation options: concrete casting or retrofit, right/left
- Locking mechanism: gear with handles from inside and outside
- Rubber gasket for gas tightness



**DU-I Blast & Gas Tight Door Dimensions**



Nominal dimensions			
Parameter/Type	DU-I 800x1800	DU-I 900x2000	DU-I 1200x2000
W1, mm	800	900	1200
W2, mm	820	920	1220
W3, mm	1050	1150	1450
W4, mm	856	956	1256
H1, mm	1800	2000	2000
H2, mm	1820	2020	2020
H3, mm	2050	2250	2250
H4, mm	1856	2056	2056
D1, mm	278	278	278
Weight, kg	360	443	557

**MMR Blast, Gastight Door & Splinter Door**

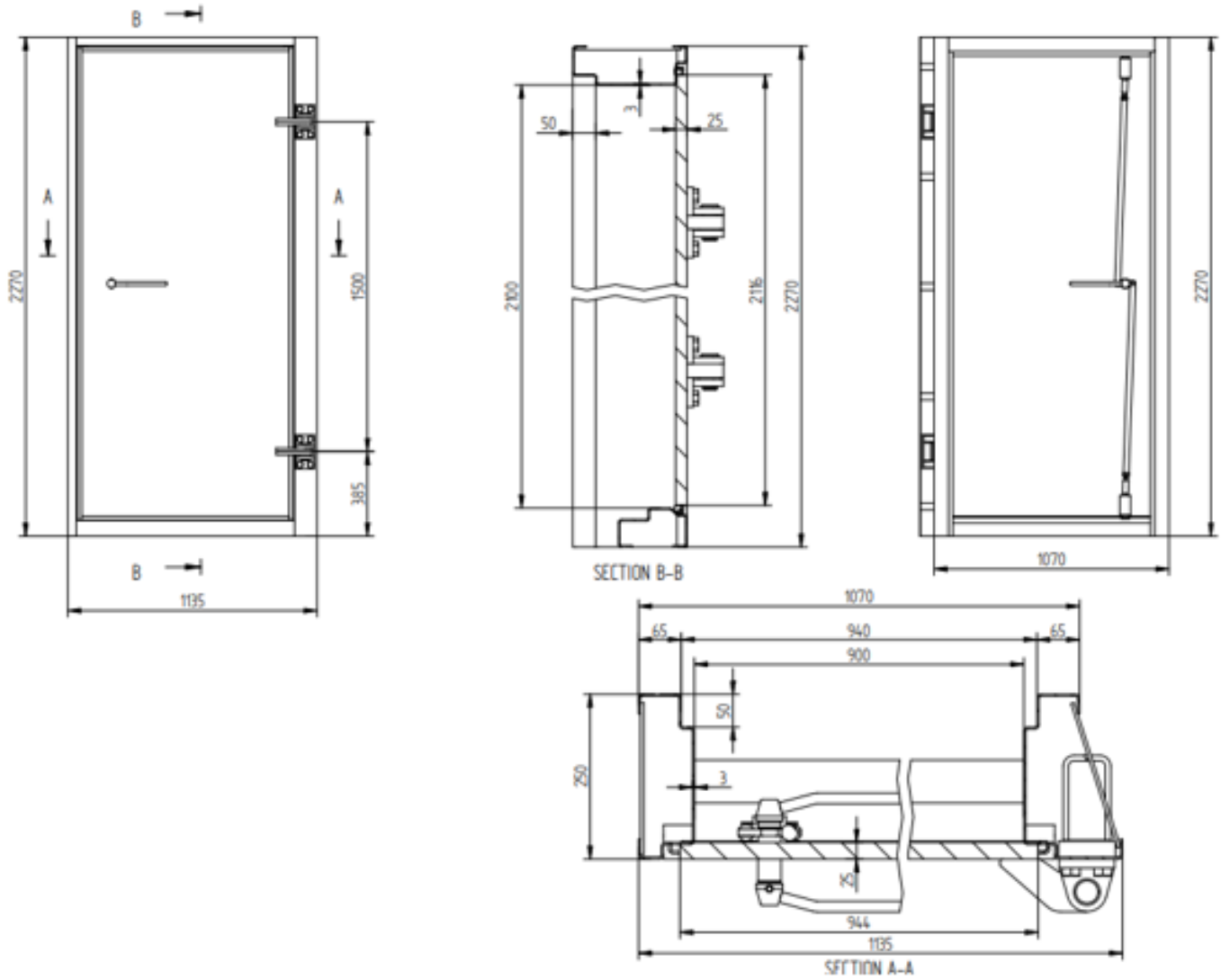
<b>Blast</b>	<b>Ballistic</b>	<b>Forced Entry</b>	<b>Gastight</b>
Yes	Splinter	Optional	Yes

**Main Features**

- Technical norms: Israeli 4422 Standard
- Description: hinged, blast resistant and gastight, single/double leaf door
- Structure: frame – metal frame with reinforcements, leaf made of 25 mm steel plate
- Blast resistance: according to Israeli 4422 standard
- Installation options: concrete casting, right/left
- Locking mechanism: 2x levers with handles from inside and outside
- Rubber gasket for gas tightness



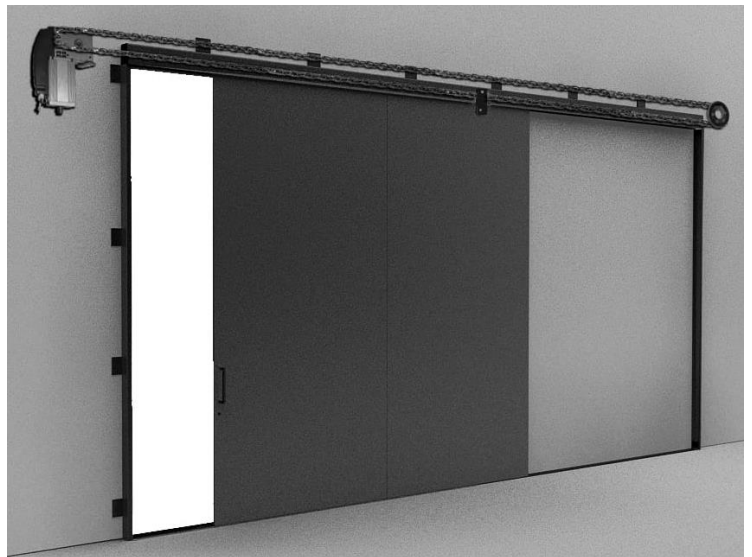
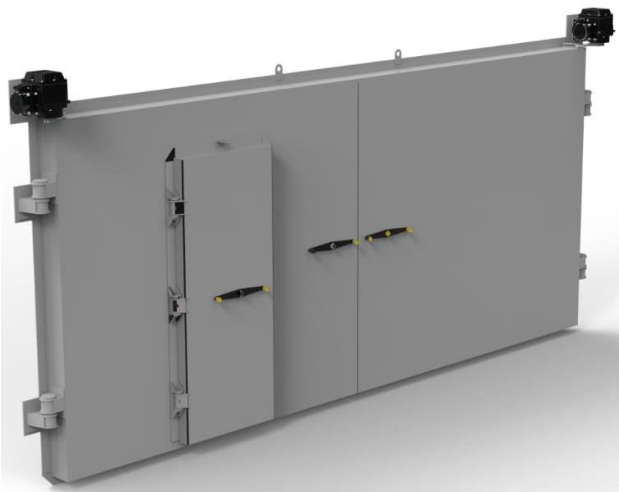
**MMR Blast, Gastight Door & Splinter Door Dimensions**



\*Custom sizes available by request

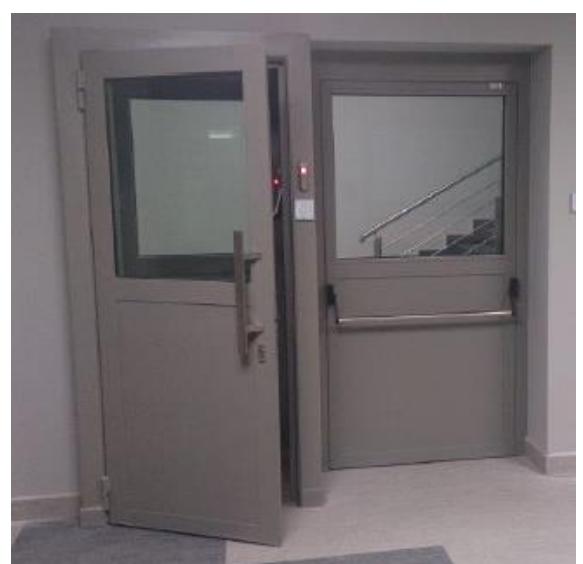
## Sliding/Hinged Blast Gates

Custom designed doors according to customers specs metal or concrete filled blast/ballistic/forced entry protected gates



## Ballistic & Security Doors

Custom designed doors according to customers specs blast / ballistic / forced entry / fire resistant doors

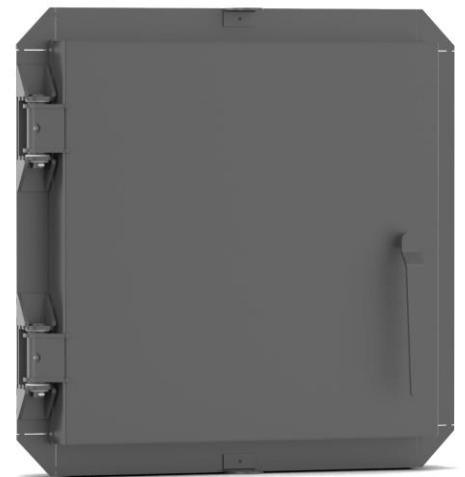


**SU-IV R Blast & Gastight Hatch**

Blast	Ballistic	Forced Entry	Gastight
100 kPa (1 Bar)	Optional	Optional	Yes

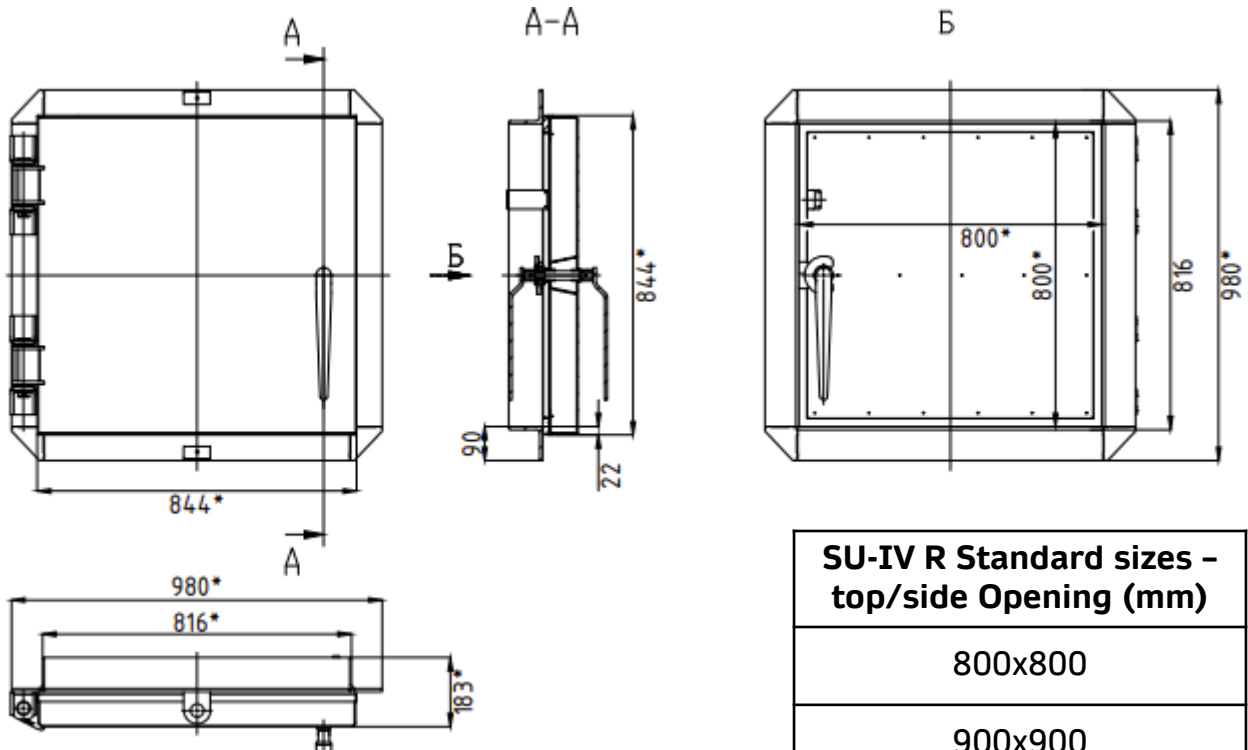
**Main Features**

- Technical norms: TU U 25.1-38587375-001:2016 (Ukraine)
- Description: hinged, blast resistant and gastight, single leaf hatch
- Structure: frame – steel corner with reinforcements, door leaf – metal sheets with reinforcement bars
- Blast resistance: 1 bar (100 kPa) static pressure
- Installation options: concrete casting or retrofit, right/left
- Locking mechanism: 1x lever with handles from inside and outside
- Rubber gasket for gas tightness



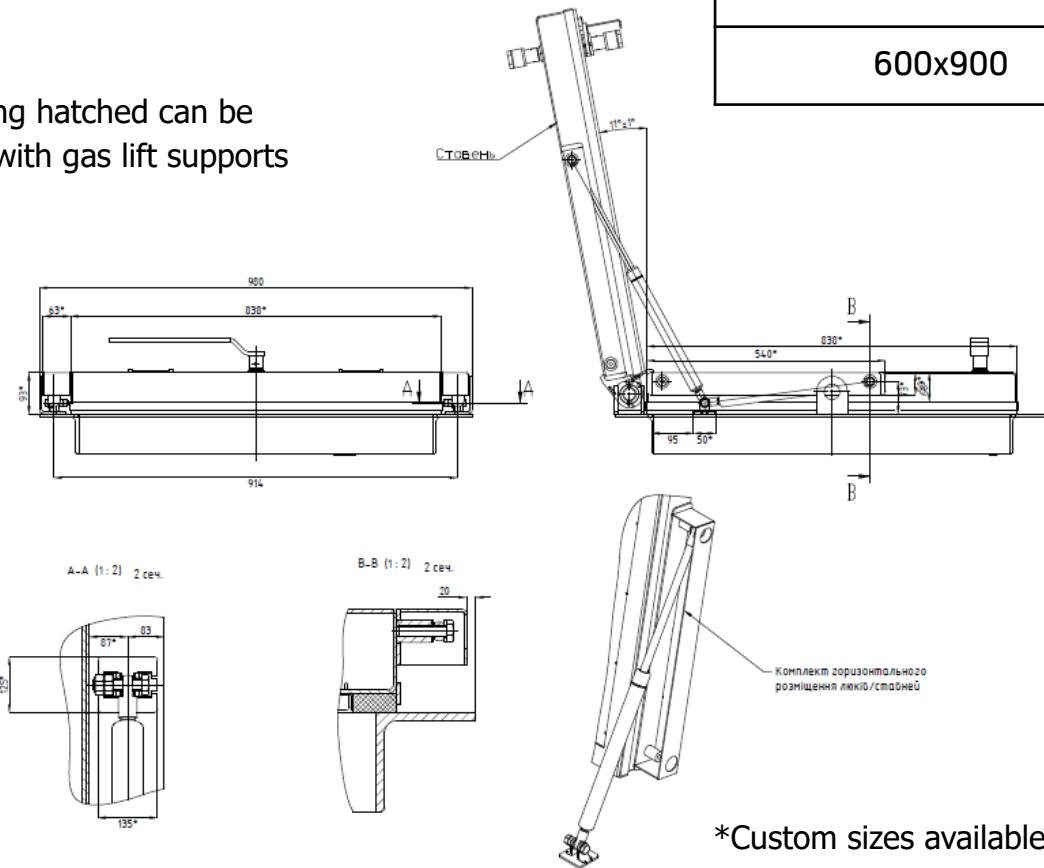


**SU-IV R Blast & Gas Tight Hatch Dimensions**



SU-IV R Standard sizes - top/side Opening (mm)
800x800
900x900
600x900

Top opening hatched can be equipped with gas lift supports



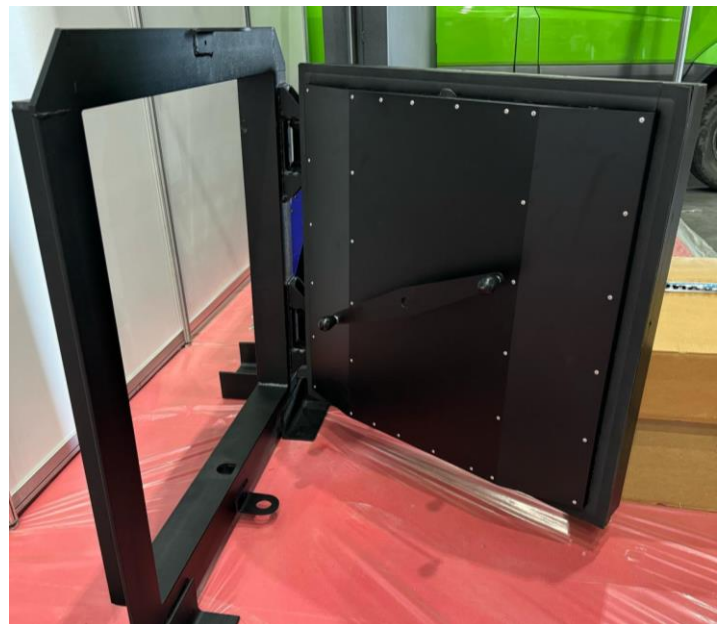
\*Custom sizes available by request

## SU-III Blast & Gastight Hatch

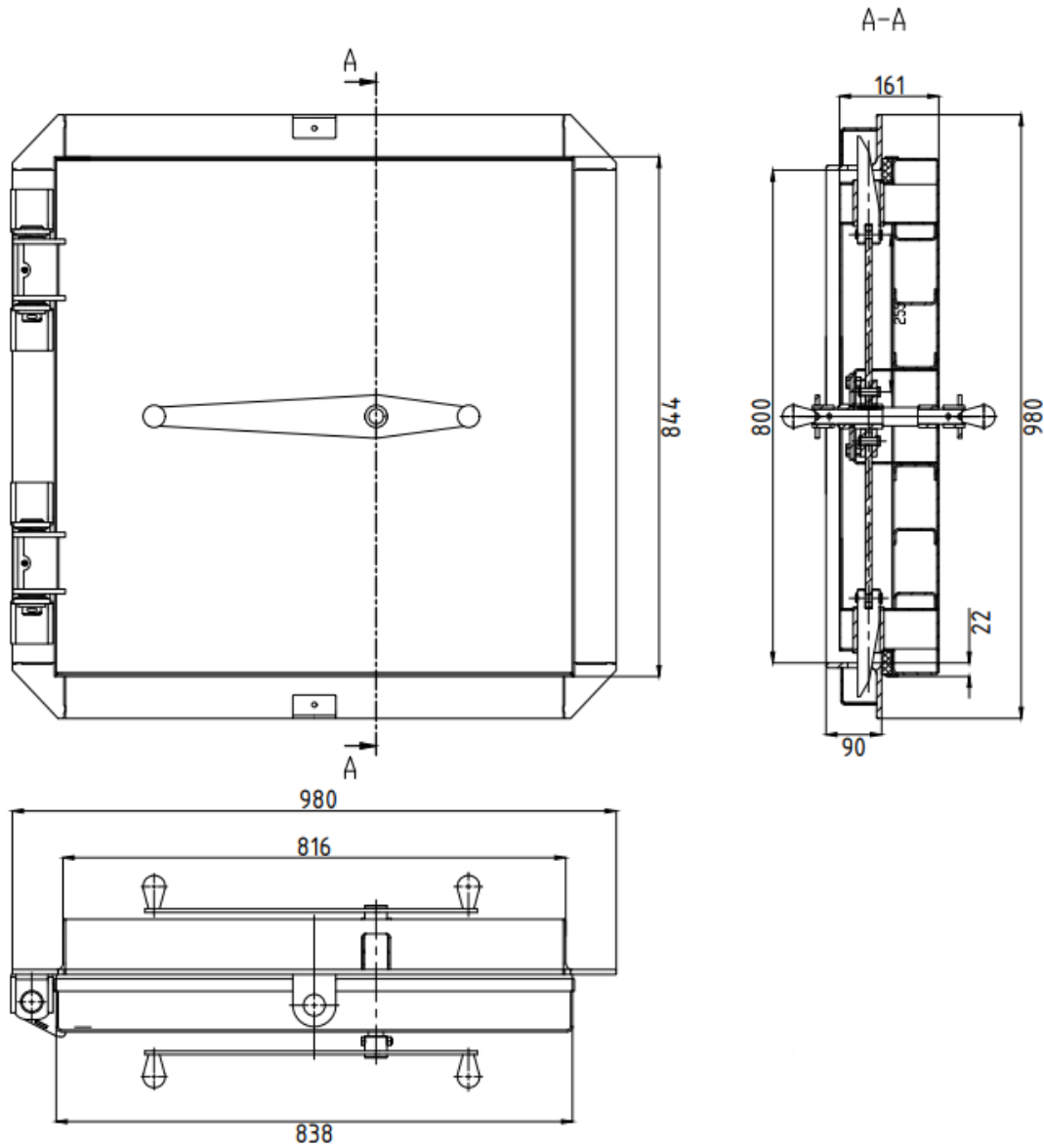
Blast	Ballistic	Forced Entry	Gastight
440 kPa (4.4 Bar)	Optional	Optional	Yes

### Main Features

- Technical norms: TU U 25.1-38587375-001:2016 (Ukraine)
- Description: hinged, blast resistant and gastight hatch
- Structure: frame – steel corner with reinforcements, leaf – metal sheets with reinforcement bars
- Blast resistance: 4.4 bar (440 kPa) static pressure
- Installation options: concrete casting or retrofit, right/left
- Locking mechanism: gear with handles from inside and outside
- Rubber gasket for gas tightness



**SU-III Blast & Gas Tight Hatch Dimensions**



<b>SU-III Standard sizes - top/side Opening (mm)</b>
800x800
900x900

\*Custom sizes available by request

**HS-1 Blast & Gastight Hatch / Splinter**

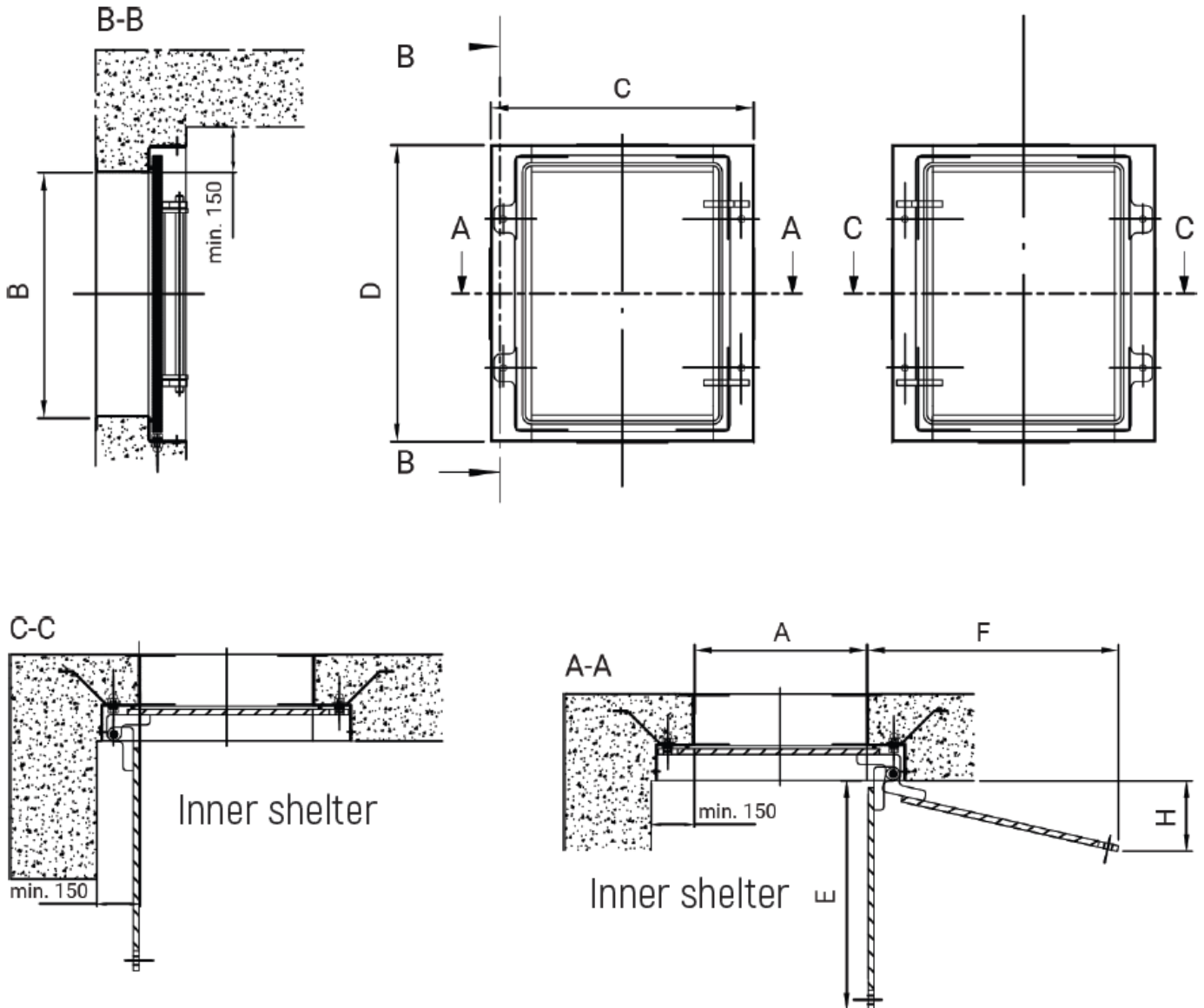
Blast	Ballistic	Forced Entry	Gastight
2 Bar	Optional	Yes	Yes

**Main Features**

- Technical norms: Finnish S1 class, VTT-C-1790-07
- Description: hinged, blast resistant and gastight hatch
- Structure: frame – metal frame with reinforcements, HS-1 leaf made of 20mm steel plate / HS-1S leaf made of 30mm steel plate
- Blast resistance: 2 bar
- Installation options: concrete casting or retrofit (optional), right/left
- Locking mechanism: bolts (need to be unbolted for opening)
- Rubber gasket for gas tightness



**HS-1 Blast & Gastight Hatch / Splinter Dimensions**

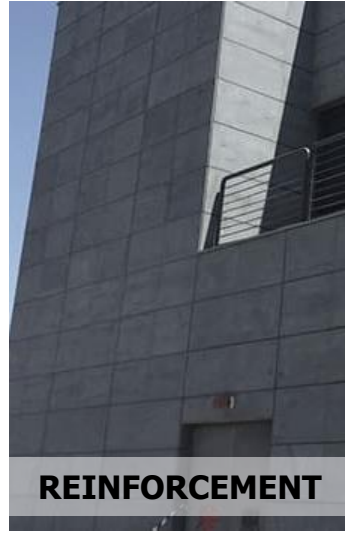


A x B (mm)	C (mm)	D (mm)	E (mm)	F (mm)	E (mm)
600 x 8000	870	976	790	910	80
700 x 1200	970	1376	890	1010	80

\*Custom sizes available by request



**SHELTERS**



**REINFORCEMENT**



**SECURITY**



**EMERGENCY**

**Atmas Group** is a Finland based, global supplier of solutions for civil defense shelters and protected spaces, critical infrastructure and facilities reinforcement, CBRN, blast, ballistic, forced entry, fire, EMP protection, security structures, emergency response and more.

We offer a wide range of professional, certified and cost-effective products and project support services, through a global network of partners and distributors.

Visit our website to learn more about our solutions: [www.atmas-tech.com](http://www.atmas-tech.com)

### **Atmas Group Oy**

Sturenkatu 26, 00510 Helsinki, Finland

Tel: +358 44 9843373

Email: [info@atmas-tech.com](mailto:info@atmas-tech.com)

Web: [www.atmas-tech.com](http://www.atmas-tech.com)