

SAFE 360 is professional and certified CBRN (chemical, biological, radiological and nuclear) air filtration and ventilation system designed for small size protected spaces like safe rooms, residential shelters, bunkers, containers and other for providing fresh filtered air and creation of protected environment in the intended area.



Highlights

- Tested and certified for compliance to requirements of SI4570 standard
- Approved by Civil Defence Command
- Installed in tens of thousands of shelters
- Complete system – blast valve, prefilter, electric blower, manual backup blower, CBRN filter, case and hoses, overpressure valve with airflow indicator.
- Very cost-effective
- Simple Installation and operation
- Electric operation: 100-240 VAC or 12 VDC
- Manual backup included in case of electric outage.



Atmas Group Oy | +358 44 9843373 | info@atmas-tech.com | www.atmas-tech.com

Disclaimer: This document is not a recommendation or a substitute for dedicated professional advice. All technical, functional and other product specifications are subject to change without notice or obligation.

SAFE 360 Components

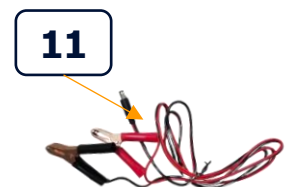
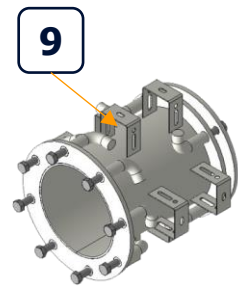
SAFE 360 Standard Kit

1. CBRN filter (AFU 36)
2. Electric Blower (EBL 54)
3. Converter from DC to AC
4. Manual backup
5. Blast valve with prefilter (BVNO 50)
6. Overpressure blast valve (BVNC 40)
7. Decorative case + wall bracket
8. Clean air hose



Optional Additional Items

9. Wall sleeve with 4" flange for casting in concrete
 10. Retrofit 4" flange for installation on the existing wall
 11. Cables for connection to 12V battery
- *Wall sleeves / retrofit flanges required for connection of the blast valve and overpressure valve to the wall)



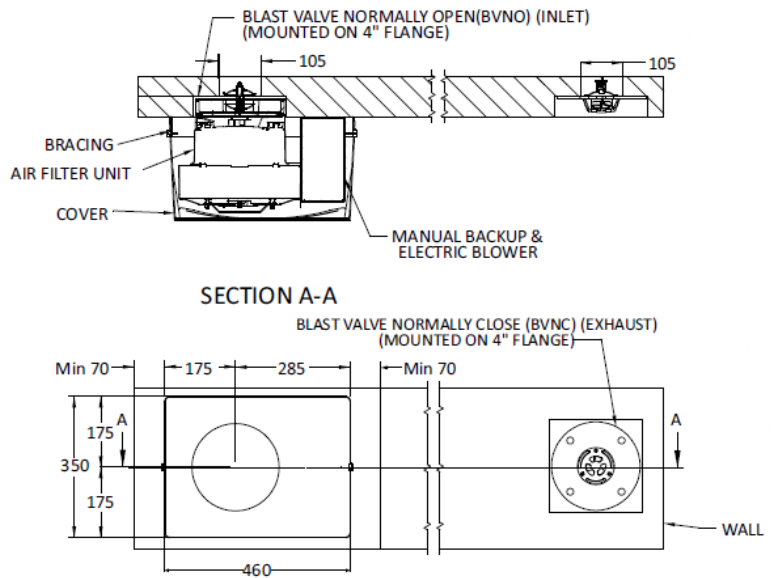
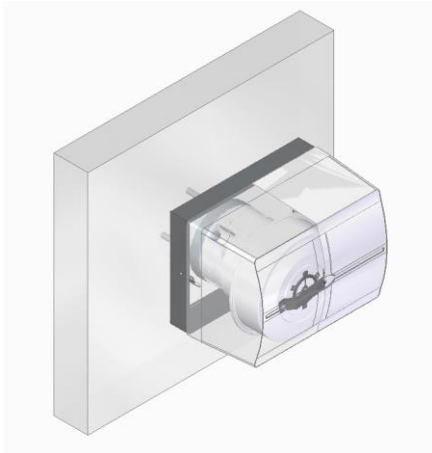
Watch the Videos on YouTube

[Filtration mode Operation](#)

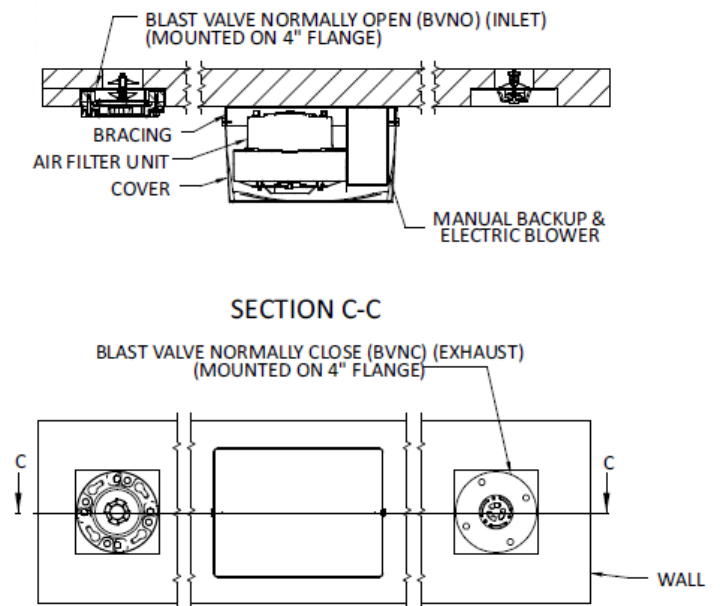
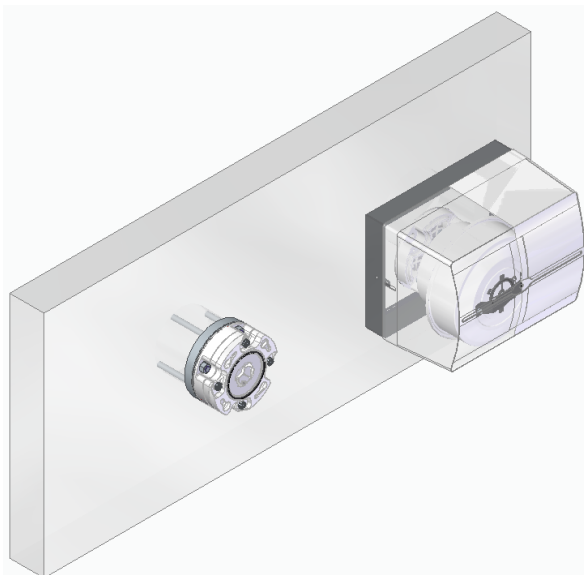
[Ventilation mode Operation](#)

SAFE 360 Installation Options

Option I - Blast valve located under the decorative case



Option II - Blast valve aside of the decorative cover



SAFE 360 Components Technical Specifications

Item	Value	Units
Blast Valve (BVNO 50 4L) – Air Entrance		
Returned Pressure durability	>900 (9)	kPa (bar)
Pressure drop (Ventilation mode)	200	Pa
Pressure drop (Filtration mode)	95	Pa

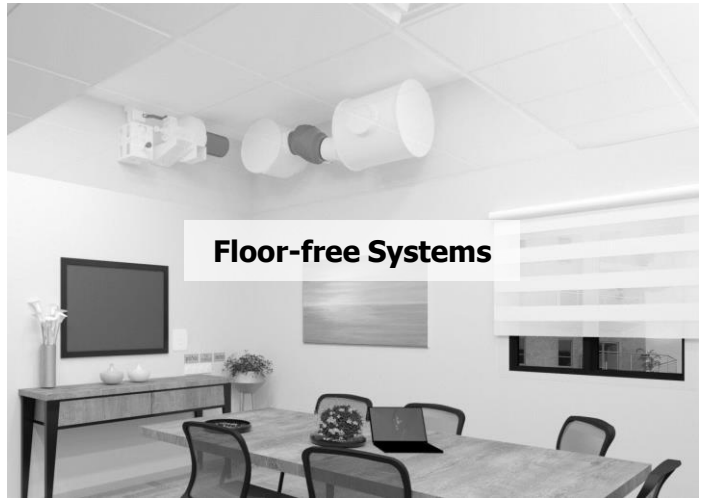
CBRN Filter (AFU 36)		
Airflow rate (nominal)	36	m ³ /h
Initial Pressure Drop @ nominal	460	Pa
Total filter weight	7	kg
Mechanical filtration efficiency	≥99.995	%

Electric Blower (EBL 180)		
Airflow (Ventilation mode)	54	m ³ /h
Airflow (CBRN filtration mode)	36	m ³ /h
Static Pressure (Filtration mode)	720	mmWc
Static Pressure (Filtration mode)	980	mmWc
Electric motor / Adapter voltage	12 DC / 100-240 AC	V
Electric motor current	3,3	A
Manual operation (backup)	1	Person
Frequency	50/60	Hz

Overpressure Blast Valve (BVNC 40) – Air Exhaust		
Returned Pressure durability	>900 (9)	kPa (bar)
Pressure drop (Ventilation mode)	225	Pa
Pressure drop (Filtration mode)	65	Pa

Atmas Group Oy | +358 44 9843373 | info@atmas-tech.com | www.atmas-tech.com

Disclaimer: This document is not a recommendation or a substitute for dedicated professional advice. All technical, functional and other product specifications are subject to change without notice or obligation.



Atmas Group Oy

Sturenkatu 26, 00510 Helsinki, Finland

Tel: +358 44 9843373

Email: info@atmas-tech.com

Web: www.atmas-tech.com

Atmas Group Oy is an official exclusive distributor of Arconik International Pvt. Ltd.

Disclaimer: This document is not a recommendation or a substitute for dedicated professional advice. The images are for illustration purposes only and all technical, functional and other product specifications are subject to change without notice or obligation.